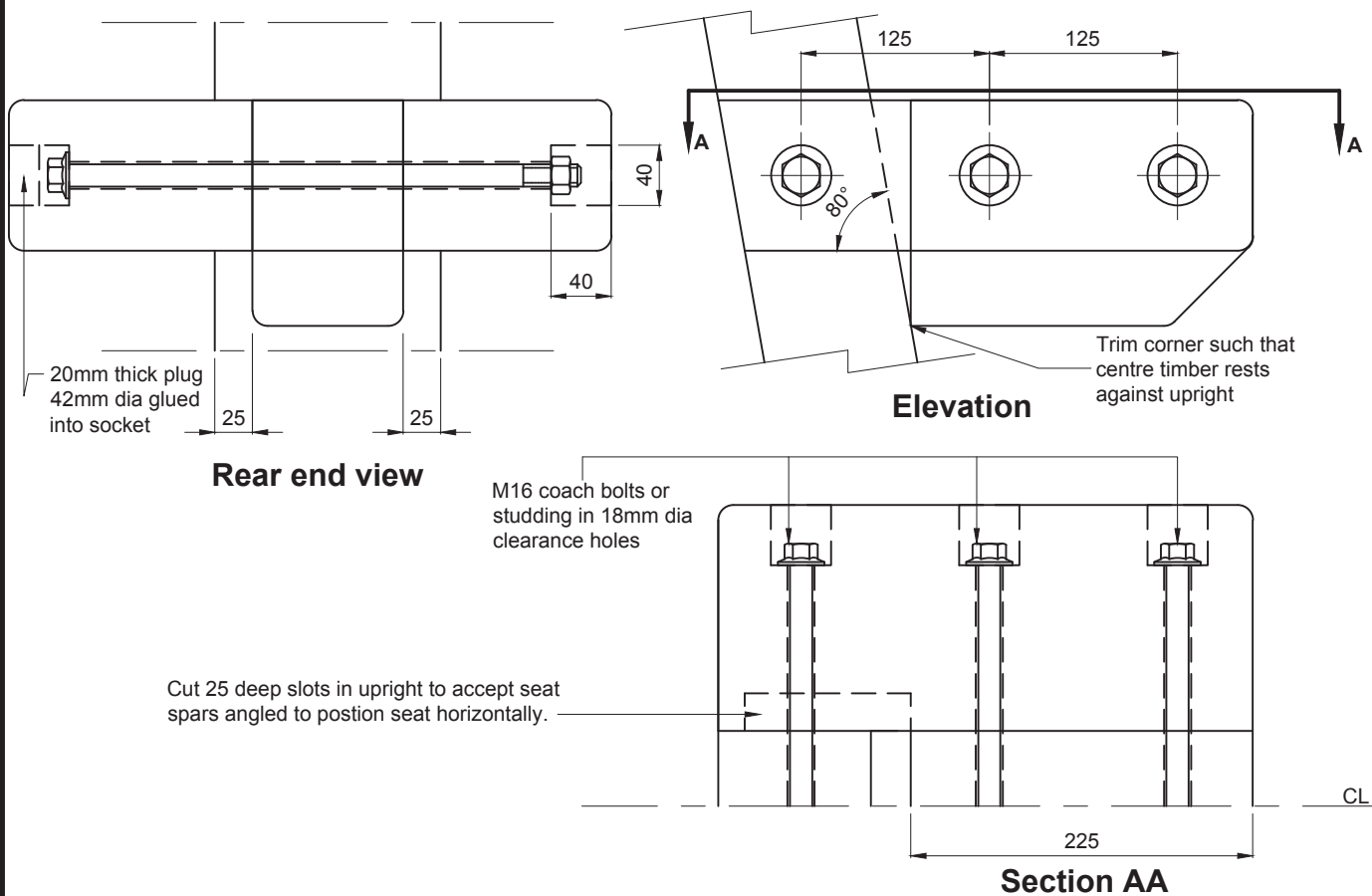


General Layout Scale, 1:20



Detail A, Seat fixing, Scale 1:5

Notes on Installation

Ideally group perches in threes with each one being a different height to suit different heights of users.

Vary perch height by varying depth of insertion.

Ensure toe of perch is firmly wedged with stones.

All outward facing corners and edges to be given 10mm radius chamfers

All timber to be pressure treated after drilling and cutting.

All nuts to be recessed into 40mm deep socket. All sockets to be blanked off with wooden plugs hammered into sockets and glued in place.

Materials List

1. 1 No. 150 x 100 timber section 1800 long, drilled as shown. 25mm deep slots to be cut in to accept seating pieces.
2. 2 No. 150 x 100 timber sections 350 long drilled as shown
3. 1 No. 150 x 100 timber section 225 long drilled as shown
(Total length of 100 x 150 timber = 2750 nominal)
4. 4 No. M16 threaded bars, 360mm long
5. 8 No. M16 nuts
6. 8 No. M16 flat washers
7. ST4 Concrete for installation in soft ground
8. 6 No. 41mm diameter, 20mm thick wooden plugs.

This perch was designed by Phil Clarke & Hugh Muschamp, The Paths For All Partnership. The design was chosen to minimise amount of timber and to utilise a single timber size with minimum preparation. One design allows varying perch heights without alteration. For further information contact the Paths For All Partnership on 01259 218 888



Perch front view



Perch rear view